



**Fidelity National Title Company**  
 5000 Van Nuys Blvd., Suite 500, Sherman Oaks, CA 91403  
 Phone: (818) 881-7800

Issuing Policies of Fidelity National Title Insurance Company

ORDER NO.: 00240090-994-VNO-TW2  
 LOAN NO.:

Escrow Officer: Van Nuys Title Only EO  
 Title Officer: Tim Whisnant  
 Phone: (818) 881-7800  
 Fax: (818) 475-5013  
 Email: Team.Tim@fnf.com

Public Administrator Operations  
 320 West Temple Street  
 Los Angeles, CA 90012

ATTN: Roseanne Ybarra  
 YOUR REF: 6801 Mammoth Avenue

PROPERTY: 6801 Mammoth Avenue, No. 5, Van Nuys, CA

**AMENDED PRELIMINARY REPORT**

*In response to the application for a policy of title insurance referenced herein, Fidelity National Title Company hereby reports that it is prepared to issue, or cause to be issued, as of the date hereof, a policy or policies of title insurance describing the land and the estate or interest therein hereinafter set forth, insuring against loss which may be sustained by reason of any defect, lien or encumbrance not shown or referred to as an exception herein or not excluded from coverage pursuant to the printed Schedules, Conditions and Stipulations or Conditions of said policy forms.*

*The printed Exceptions and Exclusions from the coverage and Limitations on Covered Risks of said policy or policies are set forth in Attachment One. The policy to be issued may contain an arbitration clause. When the Amount of Insurance is less than that set forth in the arbitration clause, all arbitrable matters shall be arbitrated at the option of either the Company or the Insured as the exclusive remedy of the parties. Limitations on Covered Risks applicable to the CLTA and ALTA Homeowner's Policies of Title Insurance which establish a Deductible Amount and a Maximum Dollar Limit of Liability for certain coverages are also set forth in Attachment One. Copies of the policy forms should be read. They are available from the office which issued this report.*

*This report (and any supplements or amendments hereto) is issued solely for the purpose of facilitating the issuance of a policy of title insurance and no liability is assumed hereby. If it is desired that liability be assumed prior to the issuance of a policy of title insurance, a Binder or Commitment should be requested.*

*The policy(s) of title insurance to be issued hereunder will be policy(s) of Fidelity National Title Insurance Company, a Florida corporation.*

*Please read the exceptions shown or referred to herein and the exceptions and exclusions set forth in Attachment One of this report carefully. The exceptions and exclusions are meant to provide you with notice of matters which are not covered under the terms of the title insurance policy and should be carefully considered.*

*It is important to note that this preliminary report is not a written representation as to the condition of title and may not list all liens, defects and encumbrances affecting title to the land.*

Countersigned by:

*Cindy Fried*

Authorized Signature



## **Fidelity National Title Company**

5000 Van Nuys Blvd., Suite 500, Sherman Oaks, CA 91403  
Phone: (818) 881-7800

### **AMENDED PRELIMINARY REPORT**

---

**EFFECTIVE DATE:** March 9, 2020 at 7:30 a.m., Amended: March 31, 2020, Amendment No. 1

**ORDER NO.:** 00240090-994-VNO-TW2

The form of policy or policies of title insurance contemplated by this report is:

**ALTA Homeowner's Policy of Title Insurance (12-2-13)**  
**ALTA Extended Loan Policy (6-17-06)**

1. THE ESTATE OR INTEREST IN THE LAND HEREINAFTER DESCRIBED OR REFERRED TO COVERED BY THIS REPORT IS:

**A CONDOMINIUM, as defined in Sections 783 and 4125 of the California Civil Code, in fee**

2. TITLE TO SAID ESTATE OR INTEREST AT THE DATE HEREOF IS VESTED IN:

**Alan Foust, a Single man**

3. THE LAND REFERRED TO IN THIS REPORT IS DESCRIBED AS FOLLOWS:

**See Exhibit A attached hereto and made a part hereof.**

**EXHIBIT A**  
**LEGAL DESCRIPTION**

THE LAND REFERRED TO HEREIN BELOW IS SITUATED IN THE COUNTY OF LOS ANGELES, STATE OF CALIFORNIA, AND IS DESCRIBED AS FOLLOWS:

**PARCEL 1:**

AN UNDIVIDED 1/19TH INTEREST IN AND TO LOT 1 OF TRACT 40375, IN THE CITY OF LOS ANGELES, AS PER MAP RECORDED IN BOOK 1007 PAGES 31 AND 32 OF MAPS, IN THE OFFICE OF THE COUNTY RECORDER OF SAID COUNTY.

EXCEPT THEREFROM UNITS 1 TO 19, AS SHOWN AND DEFINED IN THAT CONDOMINIUM PLAN RECORDED AUGUST 19, 1982 AS INSTRUMENT NO. 82-836263.

**PARCEL 2:**

UNIT 5, AS SHOWN AND DEFINED IN THAT CONDOMINIUM PLAN RECORDED AUGUST 19, 1962 AS INSTRUMENT NO. 82-636263.

**PARCEL 3:**

AN EXCLUSIVE EASEMENT FOR PARKING AND INCIDENTAL PURPOSES OVER THAT PORTION OF LOT 1, ABOVE SHOWN, AS SHOWN AS 3P AND 4 P IN THE ABOVE EXHIBIT E OF THAT DECLARATION OF COVENANTS, CONDITIONS AND RESTRICTIONS AND RESERVATION OF EASEMENTS RECORDED OCTOBER 7, 1982 AS INSTRUMENT NO. 82-1013389.

**APN: 2216-024-058**

## EXCEPTIONS

### AT THE DATE HEREOF, ITEMS TO BE CONSIDERED AND EXCEPTIONS TO COVERAGE IN ADDITION TO THE PRINTED EXCEPTIONS AND EXCLUSIONS IN SAID POLICY FORM WOULD BE AS FOLLOWS:

1. Property taxes, which are a lien not yet due and payable, including any assessments collected with taxes to be levied for the fiscal year 2020-2021.
2. Property taxes, including any personal property taxes and any assessments collected with taxes, are as follows:

|                                |                                       |
|--------------------------------|---------------------------------------|
| Code Area:                     | 00013                                 |
| <u>Tax Identification No.:</u> | <u>2216-024-058</u>                   |
| Fiscal Year:                   | 2019-2020                             |
| 1st Installment:               | \$739.36 Delinquent + Penalty \$73.93 |
| 2nd installment:               | \$739.35 Open                         |
| Exemption:                     | \$7,000.00                            |
| Land:                          | \$23,880.00                           |
| Improvements:                  | \$95,556.00                           |
| Personal Property:             | \$0.00                                |

3. The lien of supplemental or escaped assessments of property taxes, if any, made pursuant to the provisions of Chapter 3.5 (commencing with Section 75) or Part 2, Chapter 3, Articles 3 and 4, respectively, of the Revenue and Taxation Code of the State of California as a result of the transfer of title to the vestee named in Schedule A or as a result of changes in ownership or new construction occurring prior to Date of Policy.

Note: If said supplementals (if any) are not posted prior to the date of closing, this company assumes no liability for payment thereof.

4. Water rights, claims or title to water, whether or not disclosed by the public records.
5. Covenants, conditions and restrictions but omitting any covenants or restrictions, if any, including but not limited to those based upon race, color, religion, sex, sexual orientation, familial status, marital status, disability, handicap, national origin, citizenship, immigration status, primary language, ancestry, source of income, gender, gender identity, gender expression, medical condition or genetic information, as set forth in applicable state or federal laws, except to the extent that said covenant or restriction is permitted by applicable law, as set forth in the document

Recording No: Book 5838, Page 97, Deeds

Said covenants, conditions and restrictions provide that a violation thereof shall not defeat the lien of any mortgage or deed of trust made in good faith and for value.

6. An oil and gas lease for the term therein provided with certain covenants, conditions and provisions, together with easements, if any, as set forth therein.

|                       |   |
|-----------------------|---|
| Dated:                | June 20, 1961                                     |
| Lessor:               | Ethel Dosa  |
| Lessee:               | Standard Oil Company of California, a Corporation |
| Recording Date:       | August 29, 1961                                   |
| <u>Recording No.:</u> | <u>1961-3797, Official Records</u>                |

7. Affects That Portion of Said Land Lying Below a Depth of 500 Feet from the Surface Thereof, Without the Right to Enter Upon or Use Any Portion of Said Land Lying Above Said Depth.

**EXCEPTIONS**  
**(Continued)**

8. An instrument entitled A Covenant and Agreement

Executed by: Samuel P. Young and Enid T. Young  
In favor of: City of Los Angeles  
Recording Date: July 26, 1976  
Recording No.: 1976-3253, Official Records

Which among other things provides: as provided therein

Reference is hereby made to said document for full particulars.

This covenant and agreement provides that it shall be binding upon any future owners, encumbrances, their successors or assigns, and shall continue in effect until the advisory agency approves termination.

9. The ownership of said Land does not include rights of access to or from the street, highway, or freeway abutting said Land, such rights having been relinquished by said map/plat.

Affects: Vanowen Street

Said Land However, Abuts Upon a Public Thoroughfare Other Than the Road Referred to Above, Over Which rights of Vehicular Ingress and Egress Have not Been Relinquished.

10. Any rights, Interests or Claims Which May Exist or Arise by Reason of Any Easement or Lesser Right, Affecting the Portion of Said Land and for the Purpose Herein Stated, Including Incidental Purposes, Disclosed by a Survey or Inspection of Said Land

For: Pole Line  
Affects: The Westerly 5 Feet of Said Land

11. An instrument entitled A Covenant and Agreement

Executed by: FLESCH and Span Associates  
In favor of: City of Los Angeles  
Recording Date: July 10, 1981  
Recording No.: 1981-691807, Official Records

Which among other things provides: as provided therein

Reference is hereby made to said document for full particulars.

This covenant and agreement provides that it shall be binding upon any future owners, encumbrances, their successors or assigns, and shall continue in effect until the advisory agency approves termination.

12. An instrument entitled A Covenant and Agreement

Executed by: FLESCH and Span Associates  
In favor of: City of Los Angeles  
Recording Date: July 10, 1981  
Recording No.: 1981-691808, Official Records

**EXCEPTIONS**  
**(Continued)**

Which among other things provides: as provided therein

Reference is hereby made to said document for full particulars.

This covenant and agreement provides that it shall be binding upon any future owners, encumbrances, their successors or assigns, and shall continue in effect until the advisory agency approves termination.

13. An instrument entitled A Covenant and Agreement

Executed by: FLESCH and Span Associates  
In favor of: City of Los Angeles  
Recording Date: November 12, 1981  
Recording No.: 1981-1119411, Official Records

Which among other things provides: as provided therein

Reference is hereby made to said document for full particulars.

This covenant and agreement provides that it shall be binding upon any future owners, encumbrances, their successors or assigns, and shall continue in effect until the advisory agency approves termination.

14. Easement(s) for the purpose(s) shown below and rights incidental thereto as delineated or as offered for dedication on the map of said tract.

Purpose: Public Utilities  
Affects: the westerly 5 feet of said land

15. The Terms and Conditions of That Certain Agreement Dated July 8, 1981 by And Between Flesch & Span Associates and Executive Director of the Housing Authority of the City of Los Angeles, Recorded September 23, 1982 as Instrument No. 82-967987, Including But not Limited to, the Assignable Continuing Right of First Refusal to Purchase/Lease the Subject property Provided for Therein, All of Such Terms Being Hereby Incorporated Herein by This Reference.

16. The matters set forth in the document shown below which, among other things, contains or provides for: certain easements; liens and the subordination thereof; provisions relating to partition; restrictions on severability of component parts; and covenants, conditions and restrictions but omitting any covenants or restrictions, if any, including, but not limited to those based upon race, color, religion, sex, sexual orientation, familial status, marital status, disability, handicap, national origin, citizenship, immigration status, primary language, ancestry, source of income, gender, gender identity, gender expression, medical condition or genetic information, as set forth in applicable state or federal laws, except to the extent that said covenant or restriction is permitted by applicable law.

Entitled: Declaration of Covenants Conditions and Restrictions  
Recording Date: October 7, 1982  
Recording No.: 1982-1013389, Official Records

Said covenants, conditions and restrictions provide that a violation thereof shall not defeat the lien of any mortgage or deed of trust made in good faith and for value.

**EXCEPTIONS**  
**(Continued)**

17. Easement(s) for the purpose(s) shown below and rights incidental thereto as delineated or as offered for dedication on the map of said tract.

Purpose: Parking Space  
Affects: Over and Across Those Portions of Said Land

18. A deed of trust to secure an indebtedness in the amount shown below,

Amount: \$130,879.10  
Dated: August 9, 2008  
Trustor/Grantor: Alan Foust, a single man  
Trustee: Verdugo Trustee Service Corporation  
Beneficiary: Citicorp Trust Bank, FSB  
Loan No.: None Shown  
Recording Date: August 21, 2008  
Recording No: 2008-1515090, Official Records

Request for notice

Recording Date: November 6, 2019  
Recording No: 2019-1200773, Official Records

19. Any rights of the parties, if other than the vestees, in possession of the Parking Space shown in the legal description herein.

**PLEASE REFER TO THE "INFORMATIONAL NOTES" AND "REQUIREMENTS" SECTIONS WHICH FOLLOW FOR INFORMATION NECESSARY TO COMPLETE THIS TRANSACTION.**

---

**END OF EXCEPTIONS**

---

---

**REQUIREMENTS SECTION**

1. In order to complete this report, the Company requires a Statement of Information to be completed by the following party(s),

Party(s): All Parties

The Company reserves the right to add additional items or make further requirements after review of the requested Statement of Information.

NOTE: The Statement of Information is necessary to complete the search and examination of title under this order. Any title search includes matters that are indexed by name only, and having a completed Statement of Information assists the Company in the elimination of certain matters which appear to involve the parties but in fact affect another party with the same or similar name. Be assured that the Statement of Information is essential and will be kept strictly confidential to this file.

---

**END OF REQUIREMENTS**

---



## INFORMATIONAL NOTES SECTION

1. Notice: Please be aware that due to the conflict between federal and state laws concerning the cultivation, distribution, manufacture or sale of marijuana, the Company is not able to close or insure any transaction involving Land that is associated with these activities.
2. Due to the special requirements of SB 50 (California Public Resources Code Section 8560 et seq.), any transaction that includes the conveyance of title by an agency of the United States must be approved in advance by the Company's State Counsel, Regional Counsel, or one of their designees.
3. None of the items shown in this report will cause the Company to decline to attach ALTA Endorsement Form 9 to an Extended Coverage Loan Policy, when issued.
4. Note: The Company is not aware of any matters which would cause it to decline to attach CLTA Endorsement Form 116 indicating that there is located on said Land a Condominium, known as 6801 Mammoth Avenue, No. 5, Los Angeles, California to an Extended Coverage Loan Policy.
5. Note: The policy of title insurance will include an arbitration provision. The Company or the insured may demand arbitration provision. Arbitrable matters may include, but are not limited to any controversy or claim between the Company and the insured arising out of or relating to this policy, any service of the Company in connection with its issuance or the breach of a policy provision or other obligation. Please ask your escrow or title officer for a sample copy of the policy to be issued if you wish to review the arbitration provisions and any other provisions pertaining to your Title Insurance Coverage.
6. Note: There are NO conveyances affecting said Land recorded within 24 months of the date of this report.
7. Pursuant to Government Code Section 27388.1, as amended and effective as of 1-1-2018, a Documentary Transfer Tax (DTT) Affidavit may be required to be completed and submitted with each document when DTT is being paid or when an exemption is being claimed from paying the tax. If a governmental agency is a party to the document, the form will not be required. DTT Affidavits may be available at a Tax Assessor-County Clerk-Recorder.
8. Unless this company is in receipt of WRITTEN instructions authorizing a particular policy, Fidelity Title will AUTOMATICALLY issue the American Land Title Association Homeowner's Policy (02/03/10) for all qualifying residential 1-4 properties/transactions to insure the buyer at the close of escrow.
9. If a county recorder, title insurance company, escrow company, real estate broker, real estate agent or association provides a copy of a declaration, governing document or deed to any person, California law requires that the document provided shall include a statement regarding any unlawful restrictions. Said statement is to be in at least 14-point bold face type and may be stamped on the first page of any document provided or included as a cover page attached to the requested document. Should a party to this transaction request a copy of any document reported herein that fits this category, the statement is to be included in the manner described.
10. Any documents being executed in conjunction with this transaction must be signed in the presence of an authorized Company employee, an authorized employee of an agent, an authorized employee of the insured lender, or by using Bancserv or other approved third party service. If the above requirements cannot be met, please call the Company at the number provided in this report
11. NOTE: Amended Civil Code Section 2941, which becomes effective on January 1, 2002, sets the fee for the processing and recordation of the reconveyance of each Deed of Trust being paid off through this transaction at \$45.00. The reconveyance fee must be clearly set forth in the Beneficiary's Payoff Demand Statement ("Demand"). In addition, an assignment or authorized release of that fee, from the Beneficiary to the Trustee of record, must be included. An example of the required language is as follows:

---

**INFORMATIONAL NOTES**  
(Continued)

The Beneficiary identified above hereby assigns, releases or transfers to the Trustee of record, the sum of \$45.00, included herein as 'Reconveyance Fees', for the processing and recordation of the Reconveyance of the Deed of Trust securing the indebtedness covered hereby, and the escrow company or title company processing this pay-off is authorized to deduct the Reconveyance Fee from this Demand and forward said fee to the Trustee of record or the successor Trustee under the Trust Deed to be paid off in full.

In the event that the reconveyance fee and the assignment, release or transfer are not included within the demand statement, then Fidelity National Title Insurance Company and its Underwritten Agent may decline to process the reconveyance and will be forced to return all documentation directly to the Beneficiary for compliance with the requirements of the revised statute.

12. Note: Part of the RESPA Rule to simplify and Improve the Process of Obtaining Mortgages and Reduce Consumer Settlement Costs requires the settlement agent to disclose the agent and underwriter split of title premiums, including endorsements as follows:

Line 1107 is used to record the amount of the total title insurance premium, including endorsements, that is retained by the title agent. Fidelity National Title Company retains 88% of the total premium and endorsements.

Line 1108 used to record the amount of the total title insurance premium, including endorsements, that is retained by the title underwriter. Fidelity National Title Insurance Company retains 12% of the total premium and endorsements.

13. The Company and its policy issuing agents are required by Federal law to collect additional information about certain transactions in specified geographic areas in accordance with the Bank Secrecy Act. If this transaction is required to be reported under a Geographic Targeting Order issued by FinCEN, the Company or its policy issuing agent must be supplied with a completed ALTA Information Collection Form ("ICF") prior to closing the transaction contemplated herein.

---

**END OF INFORMATIONAL NOTES**

---

Tim Whisnant/916

## Wire Fraud Alert

This Notice is not intended to provide legal or professional advice. If you have any questions, please consult with a lawyer.

All parties to a real estate transaction are targets for wire fraud and many have lost hundreds of thousands of dollars because they simply relied on the wire instructions received via email, without further verification. **If funds are to be wired in conjunction with this real estate transaction, we strongly recommend verbal verification of wire instructions through a known, trusted phone number prior to sending funds.**

In addition, the following non-exclusive self-protection strategies are recommended to minimize exposure to possible wire fraud.

- **NEVER RELY** on emails purporting to change wire instructions. Parties to a transaction rarely change wire instructions in the course of a transaction.
- **ALWAYS VERIFY** wire instructions, specifically the ABA routing number and account number, by calling the party who sent the instructions to you. **DO NOT** use the phone number provided in the email containing the instructions, use phone numbers you have called before or can otherwise verify. **Obtain the phone number of relevant parties to the transaction as soon as an escrow account is opened.** **DO NOT** send an email to verify as the email address may be incorrect or the email may be intercepted by the fraudster.
- **USE COMPLEX EMAIL PASSWORDS** that employ a combination of mixed case, numbers, and symbols. Make your passwords greater than eight (8) characters. Also, change your password often and do **NOT** reuse the same password for other online accounts.
- **USE MULTI-FACTOR AUTHENTICATION** for email accounts. Your email provider or IT staff may have specific instructions on how to implement this feature.

For more information on wire-fraud scams or to report an incident, please refer to the following links:

*Federal Bureau of Investigation:*  
<http://www.fbi.gov>

*Internet Crime Complaint Center:*  
<http://www.ic3.gov>

## FIDELITY NATIONAL FINANCIAL, INC. PRIVACY NOTICE

Effective January 1, 2020

Fidelity National Financial, Inc. and its majority-owned subsidiary companies (collectively, "FNF," "our," or "we") respect and are committed to protecting your privacy. This Privacy Notice explains how we collect, use, and protect personal information, when and to whom we disclose such information, and the choices you have about the use and disclosure of that information.

A limited number of FNF subsidiaries have their own privacy notices. If a subsidiary has its own privacy notice, the privacy notice will be available on the subsidiary's website and this Privacy Notice does not apply.

### **Collection of Personal Information**

FNF may collect the following categories of Personal Information:

- contact information (e.g., name, address, phone number, email address);
- demographic information (e.g., date of birth, gender, marital status);
- identity information (e.g. Social Security Number, driver's license, passport, or other government ID number);
- financial account information (e.g. loan or bank account information); and
- other personal information necessary to provide products or services to you.

We may collect Personal Information about you from:

- information we receive from you or your agent;
- information about your transactions with FNF, our affiliates, or others; and
- information we receive from consumer reporting agencies and/or governmental entities, either directly from these entities or through others.

### **Collection of Browsing Information**

FNF automatically collects the following types of Browsing Information when you access an FNF website, online service, or application (each an "FNF Website") from your Internet browser, computer, and/or device:

- Internet Protocol (IP) address and operating system;
- browser version, language, and type;
- domain name system requests; and
- browsing history on the FNF Website, such as date and time of your visit to the FNF Website and visits to the pages within the FNF Website.

Like most websites, our servers automatically log each visitor to the FNF Website and may collect the Browsing Information described above. We use Browsing Information for system administration, troubleshooting, fraud investigation, and to improve our websites. Browsing Information generally does not reveal anything personal about you, though if you have created a user account for an FNF Website and are logged into that account, the FNF Website may be able to link certain browsing activity to your user account.

### **Other Online Specifics**

**Cookies.** When you visit an FNF Website, a "cookie" may be sent to your computer. A cookie is a small piece of data that is sent to your Internet browser from a web server and stored on your computer's hard drive. Information gathered using cookies helps us improve your user experience. For example, a cookie can help the website load properly or can customize the display page based on your browser type and user preferences. You can choose whether or not to accept cookies by changing your Internet browser settings. Be aware that doing so may impair or limit some functionality of the FNF Website.

**Web Beacons.** We use web beacons to determine when and how many times a page has been viewed. This information is used to improve our websites.

**Do Not Track.** Currently our FNF Websites do not respond to "Do Not Track" features enabled through your browser.

**Links to Other Sites.** FNF Websites may contain links to unaffiliated third-party websites. FNF is not responsible for the privacy practices or content of those websites. We recommend that you read the privacy policy of every website you visit.

### **Use of Personal Information**

FNF uses Personal Information for three main purposes:

- To provide products and services to you or in connection with a transaction involving you.
- To improve our products and services.
- To communicate with you about our, our affiliates', and others' products and services, jointly or independently.

### **When Information Is Disclosed**

We may disclose your Personal Information and Browsing Information in the following circumstances:

- to enable us to detect or prevent criminal activity, fraud, material misrepresentation, or nondisclosure;
- to nonaffiliated service providers who provide or perform services or functions on our behalf and who agree to use the information only to provide such services or functions;

- to nonaffiliated third party service providers with whom we perform joint marketing, pursuant to an agreement with them to jointly market financial products or services to you;
- to law enforcement or authorities in connection with an investigation, or in response to a subpoena or court order; or
- in the good-faith belief that such disclosure is necessary to comply with legal process or applicable laws, or to protect the rights, property, or safety of FNF, its customers, or the public.

The law does not require your prior authorization and does not allow you to restrict the disclosures described above. Additionally, we may disclose your information to third parties for whom you have given us authorization or consent to make such disclosure. We do not otherwise share your Personal Information or Browsing Information with nonaffiliated third parties, except as required or permitted by law. We do share Personal Information among affiliates (other companies owned by FNF) to directly market to you. Please see "Choices with Your Information" to learn how to restrict that sharing.

We reserve the right to transfer your Personal Information, Browsing Information, and any other information, in connection with the sale or other disposition of all or part of the FNF business and/or assets, or in the event of bankruptcy, reorganization, insolvency, receivership, or an assignment for the benefit of creditors. By submitting Personal Information and/or Browsing Information to FNF, you expressly agree and consent to the use and/or transfer of the foregoing information in connection with any of the above described proceedings.

#### **Security of Your Information**

We maintain physical, electronic, and procedural safeguards to protect your Personal Information.

#### **Choices With Your Information**

If you do not want FNF to share your information among our affiliates to directly market to you, you may send an "opt out" request by email, phone, or physical mail as directed at the end of this Privacy Notice. We do not share your Personal Information with nonaffiliates for their use to direct market to you.

Whether you submit Personal Information or Browsing Information to FNF is entirely up to you. If you decide not to submit Personal Information or Browsing Information, FNF may not be able to provide certain services or products to you.

**For California Residents:** We will not share your Personal Information or Browsing Information with nonaffiliated third parties, except as permitted by California law. For additional information about your California privacy rights, please visit the "California Privacy" link on our website (<https://fnf.com/pages/californiaprivacy.aspx>) or call (888) 413-1748.

**For Nevada Residents:** You may be placed on our internal Do Not Call List by calling (888) 934-3354 or by contacting us via the information set forth at the end of this Privacy Notice. Nevada law requires that we also provide you with the following contact information: Bureau of Consumer Protection, Office of the Nevada Attorney General, 555 E. Washington St., Suite 3900, Las Vegas, NV 89101; Phone number: (702) 486-3132; email: BCPINFO@ag.state.nv.us.

**For Oregon Residents:** We will not share your Personal Information or Browsing Information with nonaffiliated third parties for marketing purposes, except after you have been informed by us of such sharing and had an opportunity to indicate that you do not want a disclosure made for marketing purposes.

**For Vermont Residents:** We will not disclose information about your creditworthiness to our affiliates and will not disclose your personal information, financial information, credit report, or health information to nonaffiliated third parties to market to you, other than as permitted by Vermont law, unless you authorize us to make those disclosures.

#### **Information From Children**

The FNF Websites are not intended or designed to attract persons under the age of eighteen (18). We do not collect Personal Information from any person that we know to be under the age of thirteen (13) without permission from a parent or guardian.

#### **International Users**

FNF's headquarters is located within the United States. If you reside outside the United States and choose to provide Personal Information or Browsing Information to us, please note that we may transfer that information outside of your country of residence. By providing FNF with your Personal Information and/or Browsing Information, you consent to our collection, transfer, and use of such information in accordance with this Privacy Notice.

#### **FNF Website Services for Mortgage Loans**

Certain FNF companies provide services to mortgage loan servicers, including hosting websites that collect customer information on behalf of mortgage loan servicers (the "Service Websites"). The Service Websites may contain links to both this Privacy Notice and the mortgage loan servicer or lender's privacy notice. The sections of this Privacy Notice titled When Information is Disclosed, Choices with Your Information, and Accessing and Correcting Information do not apply to the Service Websites. The mortgage loan servicer or lender's privacy notice governs use, disclosure, and access to your Personal Information. FNF does not share Personal Information collected through the Service Websites, except as required or authorized by contract with the mortgage loan servicer or lender, or as required by law or in the good-faith belief that such disclosure is necessary: to comply with a legal process or applicable law, to enforce this Privacy Notice, or to protect the rights, property, or safety of FNF or the public.

#### **Your Consent To This Privacy Notice; Notice Changes; Use of Comments or Feedback**

By submitting Personal Information and/or Browsing Information to FNF, you consent to the collection and use of the information in accordance with this Privacy Notice. We may change this Privacy Notice at any time. The Privacy Notice's effective date will show the

last date changes were made. If you provide information to us following any change of the Privacy Notice, that signifies your assent to and acceptance of the changes to the Privacy Notice. We may use comments or feedback that you submit to us in any manner without notice or compensation to you.

---

**Accessing and Correcting Information: Contact Us**

If you have questions, would like to correct your Personal Information, or want to opt-out of information sharing for affiliate marketing, send your requests to [privacy@fnf.com](mailto:privacy@fnf.com), by phone to (888) 934-3354, or by mail to:

Fidelity National Financial, Inc.  
601 Riverside Avenue  
Jacksonville, Florida 32204  
Attn: Chief Privacy Officer

## Notice of Available Discounts

Pursuant to Section 2355.3 in Title 10 of the California Code of Regulations Fidelity National Financial, Inc. and its subsidiaries ("FNF") must deliver a notice of each discount available under our current rate filing along with the delivery of escrow instructions, a preliminary report or commitment. Please be aware that the provision of this notice does not constitute a waiver of the consumer's right to be charged the field rate. As such, your transaction may not qualify for the below discounts.

You are encouraged to discuss the applicability of one or more of the below discounts with a Company representative. These discounts are generally described below; consult the rate manual for a full description of the terms, conditions and requirements for each discount. These discounts only apply to transaction involving services rendered by the FNF Family of Companies. This notice only applies to transactions involving property improved with a one-to-four family residential dwelling.

### **FNF Underwritten Title Company**

FNTC - Fidelity National Title Company

FNTCCA – Fidelity National Title Company of California

### **FNF Underwriter**

FNTIC - Fidelity National Title Insurance Company

### **Available Discounts**

#### **CREDIT FOR PRELIMINARY REPORTS AND/OR COMMITMENTS ON SUBSEQUENT POLICIES (FNTIC)**

Where no major change in the title has occurred since the issuance of the original report or commitment, the order may be reopened within 12 months and all or a portion of the charge previously paid for the report or commitment may be credited on a subsequent policy charge within the following time period from the date of the report.

#### **DISASTER LOANS (FNTIC)**

The charge for a lender's Policy (Standard or Extended coverage) covering the financing or refinancing by an owner of record, within 24 months of the date of a declaration of a disaster area by the government of the United States or the State of California on any land located in said area, which was partially or totally destroyed in the disaster, will be 50% of the appropriate title insurance rate.

#### **CHURCHES OR CHARITABLE NON-PROFIT ORGANIZATIONS (FNTIC)**

On properties used as a church or for charitable purposes within the scope of the normal activities of such entities, provided said charge is normally the church's obligation the charge for an owner's policy shall be 50% to 70% of the appropriate title insurance rate, depending on the type of coverage selected. The charge for a lender's policy shall be 40% to 50% of the appropriate title insurance rate, depending on the type of coverage selected.

ATTACHMENT ONE

CALIFORNIA LAND TITLE ASSOCIATION  
STANDARD COVERAGE POLICY - 1990

EXCLUSIONS FROM COVERAGE

The following matters are expressly excluded from the coverage of this policy and the Company will not pay loss or damage, costs, attorneys' fees or expenses which arise by reason of:

1. (a) Any law, ordinance or governmental regulation (including but not limited to building or zoning laws, ordinances, or regulations) restricting, regulating, prohibiting or relating (i) the occupancy, use, or enjoyment of the land; (ii) the character, dimensions or location of any improvement now or hereafter erected on the land; (iii) a separation in ownership or a change in the dimensions or area of the land or any parcel of which the land is or was a part; or (iv) environmental protection, or the effect of any violation of these laws, ordinances or governmental regulations, except to the extent that a notice of the enforcement thereof or a notice of a defect, lien, or encumbrance resulting from a violation or alleged violation affecting the land has been recorded in the public records at Date of Policy.
- (b) Any governmental police power not excluded by (a) above, except to the extent that a notice of the exercise thereof or notice of a defect, lien or encumbrance resulting from a violation or alleged violation affecting the land has been recorded in the public records at Date of Policy.
2. Rights of eminent domain unless notice of the exercise thereof has been recorded in the public records at Date of Policy, but not excluding from coverage any taking which has occurred prior to Date of Policy which would be binding on the rights of a purchaser for value without knowledge.
3. Defects, liens, encumbrances, adverse claims or other matters:
  - (a) whether or not recorded in the public records at Date of Policy, but created, suffered, assumed or agreed to by the insured claimant;
  - (b) not known to the Company, not recorded in the public records at Date of Policy, but known to the insured claimant and not disclosed in writing to the Company by the insured claimant prior to the date the insured claimant became an insured under this policy;
  - (c) resulting in no loss or damage to the insured claimant;
  - (d) attaching or created subsequent to Date of Policy; or
  - (e) resulting in loss or damage which would not have been sustained if the insured claimant had paid value for the insured mortgage or for the estate or interest insured by this policy.
4. Unenforceability of the lien of the insured mortgage because of the inability or failure of the insured at Date of Policy, or the inability or failure of any subsequent owner of the indebtedness, to comply with the applicable doing business laws of the state in which the land is situated.
5. Invalidity or unenforceability of the lien of the insured mortgage, or claim thereof, which arises out of the transaction evidenced by the insured mortgage and is based upon usury or any consumer credit protection or truth in lending law.
6. Any claim, which arises out of the transaction vesting in the insured the estate of interest insured by this policy or the transaction creating the interest of the insured lender, by reason of the operation of federal bankruptcy, state insolvency or similar creditors' rights laws.

EXCEPTIONS FROM COVERAGE - SCHEDULE B, PART I

This policy does not insure against loss or damage (and the Company will not pay costs, attorneys' fees or expenses) which arise by reason of:

1. Taxes or assessments which are not shown as existing liens by the records of any taxing authority that levies taxes or assessments on real property or by the public records.  
Proceedings by a public agency which may result in taxes or assessments, or notices of such proceedings, whether or not shown by the records of such agency or by the public records.
2. Any facts, rights, interests, or claims which are not shown by the public records but which could be ascertained by an inspection of the land or which may be asserted by persons in possession thereof.
3. Easements, liens or encumbrances, or claims thereof, not shown by the public records.
4. Discrepancies, conflicts in boundary lines, shortage in area, encroachments, or any other facts which a correct survey would disclose, and which are not shown by the public records.
5. (a) Unpatented mining claims; (b) reservations or exceptions in patents or in Acts authorizing the issuance thereof; (c) water rights, claims or title to water, whether or not the matters excepted under (a), (b) or (c) are shown by the public records.
6. Any lien or right to a lien for services, labor or material not shown by the public records.

CLTA HOMEOWNER'S POLICY OF TITLE INSURANCE (12-02-13)

ALTA HOMEOWNER'S POLICY OF TITLE INSURANCE

EXCLUSIONS

In addition to the Exceptions in Schedule B, You are not insured against loss, costs, attorneys' fees, and expenses resulting from:

1. Governmental police power, and the existence or violation of those portions of any law or government regulation concerning:
  - a. building;
  - b. zoning;
  - c. land use;
  - d. improvements on the Land;
  - e. land division; and
  - f. environmental protection.This Exclusion does not limit the coverage described in Covered Risk 8.a., 14, 15, 16, 18, 19, 20, 23 or 27.
2. The failure of Your existing structures, or any part of them, to be constructed in accordance with applicable building codes. This Exclusion does not limit the coverage described in Covered Risk 14 or 15.
3. The right to take the Land by condemning it. This Exclusion does not limit the coverage described in Covered Risk 17.
4. Risks:
  - a. that are created, allowed, or agreed to by You, whether or not they are recorded in the Public Records;
  - b. that are Known to You at the Policy Date, but not to Us, unless they are recorded in the Public Records at the Policy Date;



- c. that result in no loss to You; or
  - d. that first occur after the Policy Date - this does not limit the coverage described in Covered Risk 7, 8.e., 25, 26, 27 or 28.
5. Failure to pay value for Your Title.
  6. Lack of a right:
    - a. to any land outside the area specifically described and referred to in paragraph 3 of Schedule A; and
    - b. in streets, alleys, or waterways that touch the Land.
 This Exclusion does not limit the coverage described in Covered Risk 11 or 21.
  7. The transfer of the Title to You is invalid as a preferential transfer or as a fraudulent transfer or conveyance under federal bankruptcy, state insolvency, or similar creditors' rights laws.
  8. Contamination, explosion, fire, flooding, vibration, fracturing, earthquake, or subsidence.
  9. Negligence by a person or an Entity exercising a right to extract or develop minerals, water, or any other substances.

**LIMITATIONS ON COVERED RISKS**

Your insurance for the following Covered Risks is limited on the Owner's Coverage Statement as follows:

- For Covered Risk 16, 18, 19, and 21 Your Deductible Amount and Our Maximum Dollar Limit of Liability shown in Schedule A.

The deductible amounts and maximum dollar limits shown on Schedule A are as follows:

|                  | Your Deductible Amount  | Our Maximum Dollar<br>Limit of Liability |
|------------------|---|--|
| Covered Risk 16: | 1.00% % of Policy Amount Shown in Schedule A or<br>\$2,500.00 (whichever is less) | \$ 10,000.00                             |
| Covered Risk 18: | 1.00% % of Policy Amount Shown in Schedule A or<br>\$5,000.00 (whichever is less) | \$ 25,000.00                             |
| Covered Risk 19: | 1.00% of Policy Amount Shown in Schedule A or<br>\$5,000.00 (whichever is less)   | \$ 25,000.00                             |
| Covered Risk 21: | 1.00% of Policy Amount Shown in Schedule A or<br>\$2,500.00 (whichever is less)   | \$ 5,000.00                              |

**2006 ALTA LOAN POLICY (06-17-06)**

**EXCLUSIONS FROM COVERAGE**

The following matters are expressly excluded from the coverage of this policy, and the Company will not pay loss or damage, costs, attorneys' fees, or expenses that arise by reason of:

1. (a) Any law, ordinance, permit, or governmental regulation (including those relating to building and zoning) restricting, regulating, prohibiting, or relating to
  - (i) the occupancy, use, or enjoyment of the Land;
  - (ii) the character, dimensions, or location of any improvement erected on the Land;
  - (iii) the subdivision of land; or
  - (iv) environmental protection;
 or the effect of any violation of these laws, ordinances, or governmental regulations. This Exclusion 1(a) does not modify or limit the coverage provided under Covered Risk 5.
  - (b) Any governmental police power. This Exclusion 1(b) does not modify or limit the coverage provided under Covered Risk 6.
2. Rights of eminent domain. This Exclusion does not modify or limit the coverage provided under Covered Risk 7 or 8.
3. Defects, liens, encumbrances, adverse claims, or other matters
  - (a) created, suffered, assumed, or agreed to by the Insured Claimant;
  - (b) not Known to the Company, not recorded in the Public Records at Date of Policy, but Known to the Insured Claimant and not disclosed in writing to the Company by the Insured Claimant prior to the date the Insured Claimant became an Insured under this policy;
  - (c) resulting in no loss or damage to the Insured Claimant;
  - (d) attaching or created subsequent to Date of Policy (however, this does not modify or limit the coverage provided under Covered Risk 11, 13 or 14); or
  - (e) resulting in loss or damage that would not have been sustained if the Insured Claimant had paid value for the Insured Mortgage.
4. Unenforceability of the lien of the Insured Mortgage because of the inability or failure of an Insured to comply with applicable doing-business laws of the state where the Land is situated.
5. Invalidity or unenforceability in whole or in part of the lien of the Insured Mortgage that arises out of the transaction evidenced by the Insured Mortgage and is based upon usury or any consumer credit protection or truth-in-lending law.
6. Any claim, by reason of the operation of federal bankruptcy, state insolvency, or similar creditors' rights laws, that the transaction creating the lien of the Insured Mortgage, is
  - (a) a fraudulent conveyance or fraudulent transfer, or
  - (b) a preferential transfer for any reason not stated in Covered Risk 13(b) of this policy.
7. Any lien on the Title for real estate taxes or assessments imposed by governmental authority and created or attaching between Date of Policy and the date of recording of the Insured Mortgage in the Public Records. This Exclusion does not modify or limit the coverage provided under Covered Risk 11(b).

The above policy form may be issued to afford either Standard Coverage or Extended Coverage. In addition to the above Exclusions from Coverage, the Exceptions from Coverage in a Standard Coverage policy will also include the following Exceptions from Coverage:

**EXCEPTIONS FROM COVERAGE**

(Except as provided in Schedule B - Part II, (t or T) this policy does not insure against loss or damage, and the Company will not pay costs, attorneys' fees or expenses, that arise by reason of:

## (PART I

(The above policy form may be issued to afford either Standard Coverage or Extended Coverage. In addition to the above Exclusions from Coverage, the Exceptions from Coverage in a Standard Coverage policy will also include the following Exceptions from Coverage:

1. (a) Taxes or assessments that are not shown as existing liens by the records of any taxing authority that levies taxes or assessments on real property or by the Public Records; (b) proceedings by a public agency that may result in taxes or assessments, or notices of such proceedings, whether or not shown by the records of such agency or by the Public Records.
2. Any facts, rights, interests, or claims that are not shown by the Public Records but that could be ascertained by an inspection of the Land or that may be asserted by persons in possession of the Land.
3. Easements, liens or encumbrances, or claims thereof, not shown by the Public Records.
4. Any encroachment, encumbrance, violation, variation, or adverse circumstance affecting the Title that would be disclosed by an accurate and complete land survey of the Land and not shown by the Public Records.
5. (a) Unpatented mining claims; (b) reservations or exceptions in patents or in Acts authorizing the issuance thereof; (c) water rights, claims or title to water, whether or not the matters excepted under (a), (b), or (c) are shown by the Public Records.
6. Any lien or right to a lien for services, labor or material not shown by the Public Records.

## PART II

In addition to the matters set forth in Part I of this Schedule, the Title is subject to the following matters, and the Company insures against loss or damage sustained in the event that they are not subordinate to the lien of the Insured Mortgage:)

### 2006 ALTA OWNER'S POLICY (06-17-06)

#### EXCLUSIONS FROM COVERAGE

The following matters are expressly excluded from the coverage of this policy, and the Company will not pay loss or damage, costs, attorneys' fees, or expenses that arise by reason of:

1. (a) Any law, ordinance, permit, or governmental regulation (including those relating to building and zoning) restricting, regulating, prohibiting, or relating to
  - (i) the occupancy, use, or enjoyment of the Land;
  - (ii) the character, dimensions, or location of any improvement erected on the Land;
  - (iii) the subdivision of land; or
  - (iv) environmental protection;or the effect of any violation of these laws, ordinances, or governmental regulations. This Exclusion 1(a) does not modify or limit the coverage provided under Covered Risk 5.
  - (b) Any governmental police power. This Exclusion 1(b) does not modify or limit the coverage provided under Covered Risk 6.
2. Rights of eminent domain. This Exclusion does not modify or limit the coverage provided under Covered Risk 7 or 8.
3. Defects, liens, encumbrances, adverse claims, or other matters
  - (a) created, suffered, assumed, or agreed to by the Insured Claimant;
  - (b) not Known to the Company, not recorded in the Public Records at Date of Policy, but Known to the Insured Claimant and not disclosed in writing to the Company by the Insured Claimant prior to the date the Insured Claimant became an Insured under this policy;
  - (c) resulting in no loss or damage to the Insured Claimant;
  - (d) attaching or created subsequent to Date of Policy (however, this does not modify or limit the coverage provided under Covered Risk 9 and 10); or
  - (e) resulting in loss or damage that would not have been sustained if the Insured Claimant had paid value for the Title.
4. Any claim, by reason of the operation of federal bankruptcy, state insolvency, or similar creditors' rights laws, that the transaction vesting the Title as shown in Schedule A, is
  - (a) a fraudulent conveyance or fraudulent transfer; or
  - (b) a preferential transfer for any reason not stated in Covered Risk 9 of this policy.
5. Any lien on the Title for real estate taxes or assessments imposed by governmental authority and created or attaching between Date of Policy and the date of recording of the deed or other instrument of transfer in the Public Records that vests Title as shown in Schedule A.

The above policy form may be issued to afford either Standard Coverage or Extended Coverage. In addition to the above Exclusions from Coverage, the Exceptions from Coverage in a Standard Coverage policy will also include the following Exceptions from Coverage:

#### EXCEPTIONS FROM COVERAGE

This policy does not insure against loss or damage, and the Company will not pay costs, attorneys' fees or expenses, that arise by reason of:

(The above policy form may be issued to afford either Standard Coverage or Extended Coverage. In addition to the above Exclusions from Coverage, the Exceptions from Coverage in a Standard Coverage policy will also include the following Exceptions from Coverage:

1. (a) Taxes or assessments that are not shown as existing liens by the records of any taxing authority that levies taxes or assessments on real property or by the Public Records; (b) proceedings by a public agency that may result in taxes or assessments, or notices of such proceedings, whether or not shown by the records of such agency or by the Public Records.
2. Any facts, rights, interests, or claims that are not shown in the Public Records but that could be ascertained by an inspection of the Land or that may be asserted by persons in possession of the Land.
3. Easements, liens or encumbrances, or claims thereof, not shown by the Public Records.
4. Any encroachment, encumbrance, violation, variation, or adverse circumstance affecting the Title that would be disclosed by an accurate and complete land survey of the Land and that are not shown by the Public Records.
5. (a) Unpatented mining claims; (b) reservations or exceptions in patents or in Acts authorizing the issuance thereof; (c) water rights, claims or title to water, whether or not the matters excepted under (a), (b), or (c) are shown by the Public Records.
6. Any lien or right to a lien for services, labor or material not shown by the Public Records.
7. (Variable exceptions such as taxes, easements, CC&R's, etc. shown here.)

ALTA EXPANDED COVERAGE RESIDENTIAL LOAN POLICY (12-02-13)

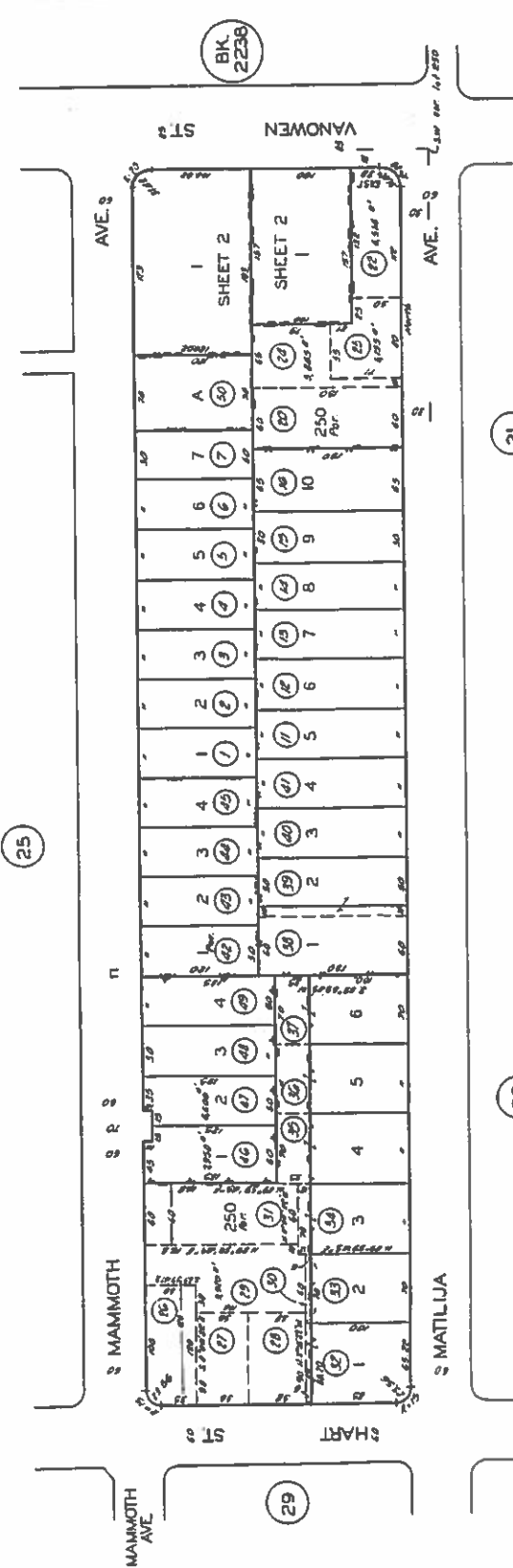
EXCLUSIONS FROM COVERAGE

The following matters are expressly excluded from the coverage of this policy and the Company will not pay loss or damage, costs, attorneys' fees or expenses which arise by reason of:

1. (a) Any law, ordinance, permit, or governmental regulation (including those relating to building and zoning) restricting, regulating, prohibiting, or relating to
  - (i) the occupancy, use, or enjoyment of the Land;
  - (ii) the character, dimensions, or location of any improvement erected on the Land;
  - (iii) the subdivision of land; or
  - (iv) environmental protection;or the effect of any violation of these laws, ordinances, or governmental regulations. This Exclusion 1(a) does not modify or limit the coverage provided under Covered Risk 5, 6, 13(c), 13(d), 14 or 16.
- (b) Any governmental police power. This Exclusion 1(b) does not modify or limit the coverage provided under Covered Risk 5, 6, 13(c), 13(d), 14 or 16.
2. Rights of eminent domain. This Exclusion does not modify or limit the coverage provided under Covered Risk 7 or 8.
3. Defects, liens, encumbrances, adverse claims, or other matters
  - (a) created, suffered, assumed, or agreed to by the Insured Claimant;
  - (b) not Known to the Company, not recorded in the Public Records at Date of Policy, but Known to the Insured Claimant and not disclosed in writing to the Company by the Insured Claimant prior to the date the Insured Claimant became an Insured under this policy;
  - (c) resulting in no loss or damage to the Insured Claimant;
  - (d) attaching or created subsequent to Date of Policy (however, this does not modify or limit the coverage provided under Covered Risk 11, 16, 17, 18, 19, 20, 21, 22, 23, 24, 27 or 28); or
  - (e) resulting in loss or damage that would not have been sustained if the Insured Claimant had paid value for the Insured Mortgage.
4. Unenforceability of the lien of the Insured Mortgage because of the inability or failure of an Insured to comply with applicable doing-business laws of the state where the Land is situated.
5. Invalidity or unenforceability in whole or in part of the lien of the Insured Mortgage that arises out of the transaction evidenced by the Insured Mortgage and is based upon usury, or any consumer credit protection or truth-in-lending law. This Exclusion does not modify or limit the coverage provided in Covered Risk 26.
6. Any claim of invalidity, unenforceability or lack of priority of the lien of the Insured Mortgage as to Advances or modifications made after the Insured has Knowledge that the vestee shown in Schedule A is no longer the owner of the estate or interest covered by this policy. This Exclusion does not modify or limit the coverage provided in Covered Risk 11.
7. Any lien on the Title for real estate taxes or assessments imposed by governmental authority and created or attaching subsequent to Date of Policy. This Exclusion does not modify or limit the coverage provided in Covered Risk 11(b) or 25.
8. The failure of the residential structure, or any portion of it, to have been constructed before, on or after Date of Policy in accordance with applicable building codes. This Exclusion does not modify or limit the coverage provided in Covered Risk 5 or 6.
9. Any claim, by reason of the operation of federal bankruptcy, state insolvency, or similar creditors' rights laws, that the transaction creating the lien of the Insured Mortgage, is
  - (a) a fraudulent conveyance or fraudulent transfer, or
  - (b) a preferential transfer for any reason not stated in Covered Risk 27(b) of this policy.
10. Contamination, explosion, fire, flooding, vibration, fracturing, earthquake, or subsidence.
11. Negligence by a person or an Entity exercising a right to extract or develop minerals, water, or any other substances.

81028418 700013036  
 82081551 8307001-06  
 84021002-04

16 24  
 SHEET 1  
 1001



(21)

(22)

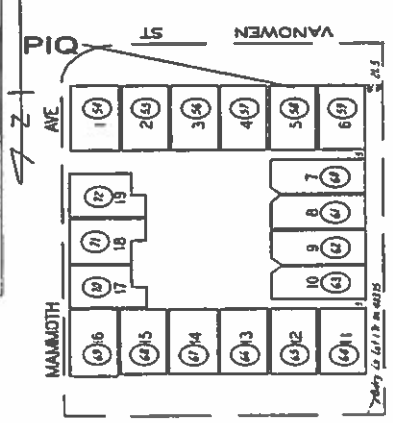
TRACT NO. 21909 M.B. 596-2-3  
 PARCEL MAP P.M. 69-57  
 CONDOMINIUM  
 TRACT NO. 38038 M.B. 971-44-45  
 CONDOMINIUM  
 TRACT NO. 40375 M.B. 1007-31-32

TRACT NO. 1000 M.B. 19-1-34  
 TRACT NO. 15229 M.B. 336-34-36  
 TRACT NO. 18023 M.B. 379-17-18  
 TRACT NO. 19423 M.B. 523-16-17  
 TRACT NO. 20334 M.B. 547-6

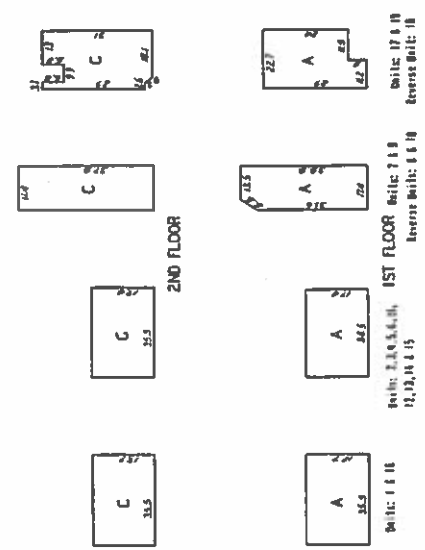
DATE  
 B

FOR CITY ENGINEER  
 448-24  
 ZER-25

AS EXISTING  
 1970 OF 1974

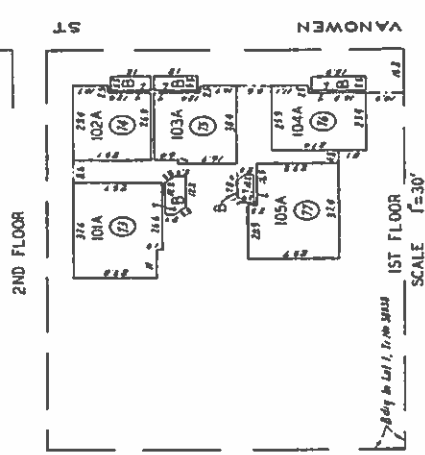
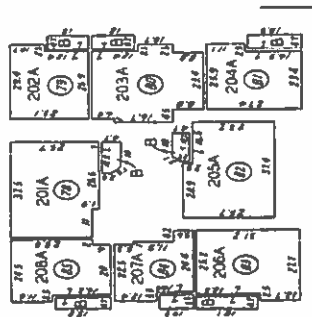


1ST FLOOR  
SCALE 1" = 40'  
TYPICAL BUILDING DETAILS  
SCALE 1" = 30'



Diagrammatic depicts approximate dimensions. The assessment of units in the following Airspace Plans, includes all rights and interests in the common areas as set forth in deeds of record.

| Airspace         | Common Area | Subdivision    |
|------------------|-------------|----------------|
| 01483837 0-13-42 | 00375       | 1              |
| 01483837 2-26-11 | 1302B       | 1              |
|                  |             | Common Sheet 2 |



2ND FLOOR  
SCALE 1" = 30'  
SUBDIVISION OF AIRSPACE  
CONDOMINIUM TRACT NO 38038  
for common area see sheet 1.  
See detailed Condominium Plans for dimensions of units.

1ST FLOOR  
SCALE 1" = 30'  
SUBDIVISION OF AIRSPACE  
CONDOMINIUM TRACT NO 40375  
for common area see sheet 1.

FIGURE  
20766000 43  
0423401 14

This map/plat is being furnished as an aid in locating the herein described Land in relation to adjoining streets, natural boundaries and other land, and is not a survey of the land depicted. Except to the extent a policy of title insurance is expressly modified by endorsement, if any, the Company does not insure dimensions, distances, location of easements, acreage or other matters shown thereon

**STATEMENT OF INFORMATION**

**CONFIDENTIAL INFORMATION STATEMENT TO BE USED IN CONNECTION WITH ORDER NO: 00240090-994-TW2**  
**COMPLETION OF THIS FORM WILL EXPEDITE YOUR ORDER AND WILL HELP PROTECT YOU.**

**THE STREET ADDRESS of the property in this transaction is:**  
 IF NONE LEAVE BLANK

ADDRESS: \_\_\_\_\_ CITY: \_\_\_\_\_

IMPROVEMENTS:  SINGLE RESIDENCE     MULTIPLE RESIDENCE     COMMERCIAL  
 OCCUPIED BY:  OWNER     LESSEE     TENANTS  
 ANY PORTION OF NEW LOAN FUNDS TO BE USED FOR CONSTRUCTION:  YES     NO

**NAME** \_\_\_\_\_ **SPOUSES NAME** \_\_\_\_\_

FIRST MIDDLE LAST FIRST MIDDLE LAST

BIRTHPLACE BIRTH DATE BIRTHPLACE BIRTH DATE

I HAVE LIVED IN CALIFORNIA SINCE SOCIAL SECURITY NUMBER I HAVE LIVED IN CALIFORNIA SINCE SOCIAL SECURITY NUMBER

DRIVER'S LICENSE NO. \_\_\_\_\_ DRIVER'S LICENSE NO. \_\_\_\_\_

WIFE'S MAIDEN NAME: \_\_\_\_\_

WE WERE MARRIED ON \_\_\_\_\_ AT \_\_\_\_\_

**RESIDENCE(S) FOR LAST 10 YEARS**

NUMBER AND STREET CITY FROM TO

NUMBER AND STREET CITY FROM TO

NUMBER AND STREET CITY FROM TO

NUMBER AND STREET CITY FROM TO

**OCCUPATION(S) FOR LAST 10 YEARS**

**HUSBAND**

PRESENT OCCUPATION FIRM NAME ADDRESS NO. OF YEARS

PRIOR OCCUPATION FIRM NAME ADDRESS NO. OF YEARS

PRIOR OCCUPATION WIFE FIRM NAME ADDRESS NO. OF YEARS

PRESENT OCCUPATION FIRM NAME ADDRESS NO. OF YEARS

PRIOR OCCUPATION FIRM NAME ADDRESS NO. OF YEARS

PRIOR OCCUPATION FIRM NAME ADDRESS NO. OF YEARS

**FORMER MARRIAGES: IF NO FORMER MARRIAGES, WRITE "NONE":** \_\_\_\_\_

NAME OF FORMER SPOUSE \_\_\_\_\_

IF DECEASED: DATE \_\_\_\_\_ WHERE \_\_\_\_\_

**CURRENT LOAN ON PROPERTY**

PAYMENTS ARE BEING MADE TO: \_\_\_\_\_ 2. \_\_\_\_\_

1. \_\_\_\_\_ 3. \_\_\_\_\_

HOMEOWNERS ASSOCIATION \_\_\_\_\_ NUMBER: \_\_\_\_\_

DATE \_\_\_\_\_ SIGNATURE \_\_\_\_\_

HOME PHONE \_\_\_\_\_ BUSINESS PHONE \_\_\_\_\_



**Fidelity National Title Company**  
 5000 Van Nuys Blvd., Suite 500, Sherman Oaks, CA 91403  
 Phone: (818) 881-7800 • Fax: (818) 776-8528

**CREDIT LINE / EQUITY LINE OF CREDIT CLOSURE REQUEST**

Date: \_\_\_\_\_

To: \_\_\_\_\_  
 \_\_\_\_\_  
 \_\_\_\_\_  
 \_\_\_\_\_

Attention: Payoff Dept.  
 Reference: Account/Loan # \_\_\_\_\_  
 Property Address: 6801 Mammoth Avenue, No. 5, Van Nuys, , CA 91405

To Whom It May Concern:

Please accept this letter as a request to close/freeze the above-referenced credit line or equity line of credit as of this date.

I/We agree not to request any advances on this account on or after the date of this letter.

You will be receiving payment in full from the proceeds of our escrow transaction. Upon receipt of payoff, please send your Reconveyance or Release of Lien to:

**Fidelity National Title Company**  
 5000 Van Nuys Blvd., Suite 500  
 Sherman Oaks, CA 91403  
 Attn: Tim Whisnant  
 Ref: 00240090-994-TW2

Sincerely,

\_\_\_\_\_  
 \_\_\_\_\_  
 \_\_\_\_\_

(All borrowers must sign)

**ALTA Information Collection Form**

Page 13 of 4

Under 31 U.S.C. § 5326(a), the Treasury Department's Financial Crimes Enforcement Network (FinCEN) issued a Geographic Targeting Order to title insurance companies requiring the collection of beneficial ownership information for certain real estate transactions.

Please complete the below questionnaire. This Company will rely on the answers provided to meet its reporting obligations.

**Who is completing this form?**

|                               |                |                  |     |
|-------------------------------|----------------|------------------|-----|
| Name                          | Position/Title | Company/Law Firm |     |
| Postal Address (Headquarters) | City           | State            | Zip |
| Phone                         | Email          | Fax              |     |

**Transactional Information**

|   |  |                                      |  |
|---|--|--------------------------------------|--|
| Property Address (If Multiple properties see NOTE below): |  |                                      |  |
| City  | State  | Zip                                  | County   |
| Date of Settlement  | Total purchase price (if multiple properties see NOTE below) |                                      |  |
| Type of Transaction:                                      | <input type="checkbox"/> Residential (1-4 family)            | <input type="checkbox"/> Commercial  | Bank Financing: <input type="checkbox"/> Yes <input type="checkbox"/> No                         |
| Purchase type:  | <input type="checkbox"/> Natural Person                      | <input type="checkbox"/> Corporation | <input type="checkbox"/> LLC <input type="checkbox"/> Partnership <input type="checkbox"/> Other |

**NOTE:** If more than one property is purchased, list each address and purchase price as an addendum.

**Purchase Funds Information**

|  |  |
|--|--|
| Total Amount paid by below instruments: \$                           |  |
| Which type of Monetary Instruments were used (Use check boxes below) |  |
| <input type="checkbox"/> U.S. Currency (Paper money & coin)          |  |
| <input type="checkbox"/> Foreign Currency                            | Country:   |
| <input type="checkbox"/> Cashier's check(s)                          | <input type="checkbox"/> Money order(s)                |
| <input type="checkbox"/> Certified check(s)                          | <input type="checkbox"/> Personal or Business check(s) |
| <input type="checkbox"/> Wire or other funds transfer(s)             | <input type="checkbox"/> Virtual Currency              |





**ALTA Information Collection Form**

Page 14 of 4

**Individual Primarily Representing Purchaser**

*(Define as the individual authorized by the entity to enter into legally binding contracts).*

|  |                          |   |                 |                |
|--|--------------------------|---|-----------------|----------------|
| Attach Legible copy of government issued identification (i.e., passport, driver's license, etc.) |                          |   |                 |                |
| Type of ID   | Issuing State or Country |   | Gov't ID Number |                |
| Last Name  |                          | First Name  |                 | M.I.           |
| Date of Birth  | Occupation               | Individual Taxpayer ID # <i>(if none write N/A)</i> |                 | % of ownership |
| Address  |                          | City  | State           | Zip            |

**Purchasing Entity Name & Address**

|  |      |  |     |
|--|------|--|-----|
| Name of Purchaser                                    |      |  |     |
| Taxpayer ID Number or EIN <i>(if none write N/A)</i> |      | Doing Business Name (DBA) <i>(if none write N/A)</i> |     |
| Address  | City | State  | Zip |

**Complete the information below if the real estate purchase is being made by a corporation, LLC, partnership, other legal entity. (Do not report trusts.)**

**For Corporations, LLCs, Partnerships and Other Entities provide the information for:**

- Each **BENEFICIAL OWNER** defined as an individual who, directly or indirectly, owns 25% or more of the equity interests of the Purchaser.
- If a legal entity or a series of legal entities own the equity interests of the Purchaser, provide information for each **BENEFICIAL OWNER**, of each legal entity in the series of legal entities.

**(Note: It is NOT necessary to complete the address fields if the information is on a legible copy of the government issued ID submitted to the title company.)**

**ALTA Information Collection Form**



|  |            |                          |  |                 |
|--|------------|--------------------------|--|-----------------|
| Attach Legible copy of government issued identification (i.e., passport, driver's license, etc.) |            |                          |  |                 |
| Type of ID   |            | Issuing State or Country |  | Gov't ID Number |
| Last Name  |            | First Name               |  | M.I.            |
| Date of Birth  | Occupation |                          | Individual Taxpayer ID # (if none write N/A) | % of ownership  |
| Address  |            | City                     |  | State Zip       |

|  |            |                          |  |                 |
|--|------------|--------------------------|--|-----------------|
| Attach Legible copy of government issued identification (i.e., passport, driver's license, etc.) |            |                          |  |                 |
| Type of ID   |            | Issuing State or Country |  | Gov't ID Number |
| Last Name  |            | First Name               |  | M.I.            |
| Date of Birth  | Occupation |                          | Individual Taxpayer ID # (if none write N/A) | % of ownership  |
| Address  |            | City                     |  | State Zip       |

|  |            |                          |  |                 |
|--|------------|--------------------------|--|-----------------|
| Attach Legible copy of government issued identification (i.e., passport, driver's license, etc.) |            |                          |  |                 |
| Type of ID   |            | Issuing State or Country |  | Gov't ID Number |
| Last Name  |            | First Name               |  | M.I.            |
| Date of Birth  | Occupation |                          | Individual Taxpayer ID # (if none write N/A) | % of ownership  |
| Address  |            | City                     |  | State Zip       |

|  |            |                          |  |                 |
|--|------------|--------------------------|--|-----------------|
| Attach Legible copy of government issued identification (i.e., passport, driver's license, etc.) |            |                          |  |                 |
| Type of ID   |            | Issuing State or Country |  | Gov't ID Number |
| Last Name  |            | First Name               |  | M.I.            |
| Date of Birth  | Occupation |                          | Individual Taxpayer ID # (if none write N/A) | % of ownership  |
| Address  |            | City                     |  | State Zip       |

**ALTA Information Collection Form**

Page 16 of 4

|  |            |                          |  |                 |
|--|------------|--------------------------|--|-----------------|
| Attach Legible copy of government issued identification (i.e., passport, driver's license, etc.) |            |                          |  |                 |
| Type of ID   |            | Issuing State or Country |  | Gov't ID Number |
| Last Name  |            | First Name               |  | M.I.            |
| Date of Birth  | Occupation |                          | Individual Taxpayer ID # (if none write N/A) | % of ownership  |
| Address  |            | City                     |  | State<br>Zip    |

I declare that to the best of my knowledge, the information I have furnished is true, correct and complete. I understand that this Title Company will rely on this information for the purposes of completing any reports made pursuant to an obligation under 31 U.S.C. § 5326(a),

|                     |        |
|---------------------|--------|
| Signature:          | Date:  |
| Type or Print Name: | Title: |